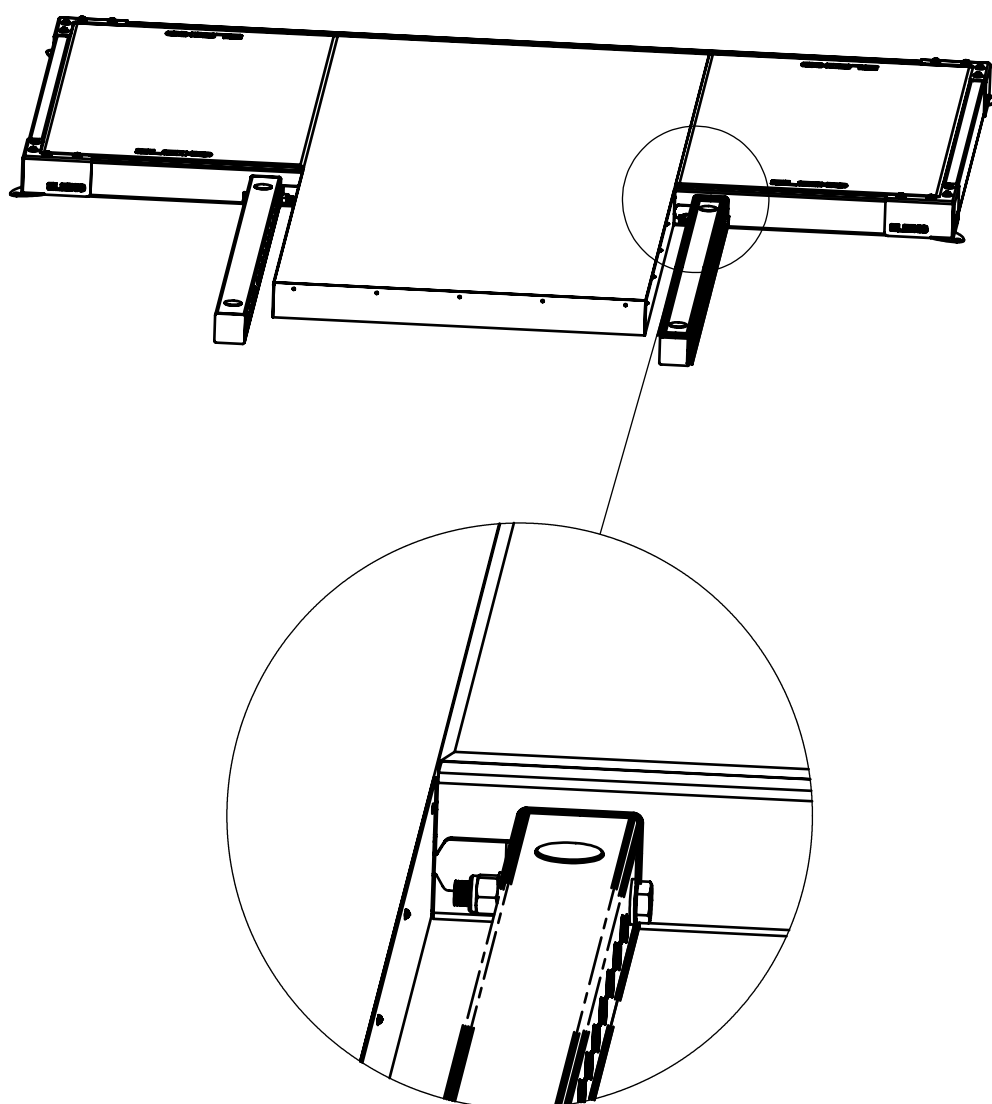


Connection kit XF80 Racks / SVR Classic insert platform

Art.no. 3085335



ELEIKO

READ BEFORE INSTALLATION AND USE

CAUTION

The equipment must be installed and used in a place whose access and supervision are specifically controlled by the owner.

Be sure to install the equipment on a stable base and properly level the equipment. ELEIKO recommends that all equipment is secured to floor and installed by a licensed contractor or an ELEIKO-installer.

SAFETY INSTRUCTIONS

It is the responsibility of the purchaser of ELEIKO products to instruct all users and supervising personnel on proper usage of the equipment.

1. All included warnings (labels) and instructions **MUST** be read before the use of any ELEIKO-equipment. Use each equipment as it is intended for.
2. A user **MUST** get a medical examination and proper instructions before the use of any ELEIKO-equipment.
3. **DO NOT** let anyone, under any circumstances, use equipment that appears to be damaged. Do not try to repair any equipment before consulting an ELEIKO technician.
4. **DO NOT** replace the components of ELEIKO-equipment with other none ELEIKO-equipment (magnetic safety pin, frames, bars), do not improvise. If there are any doubts consult an ELEIKO representative prior to any intervention.
5. **DO NOT** overload the equipment and **DO NOT** try to exceed personal strength levels.
6. Children under the age of 14 must be supervised by an adult.
7. **DO NOT** remove any safety labels from the ELEIKO-equipment. ELEIKO is not responsible if a label is removed. Replace damaged labels immediately.

PREVENTITIVE MAINTENANCE & INSPECTIONS

REGULARLY:

Clean the surfaces on frames and tubes from dust and dirt.

Check that all bolts between parts, walls, floors are properly tightened, according to recommendations.

Check equipment for sharp edges and replace if necessary.

Check tubes and welds for cracks or other defects, replace if necessary.

WARRANTY

All products manufactured by ELEIKO are warranted to the original purchaser to be free from defects in workmanship and / or materials under normal use or service as follow:

10 years on welds on structural frame (NOT on moving parts)

Normal wear and tear does not fall under the warranty of two years.

ADDITIONAL INFORMATION

This equipment is for indoor use only. This equipment is in compliance with SS-EN ISO 20957-1 and the relevant chapter.

PRODUCT SPECIFICATIONS

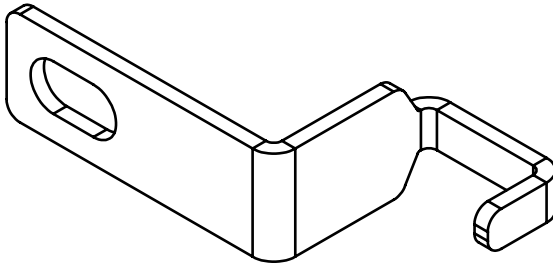
*Connecton kit to fix SVR-platform insert in position,
when assembled together with XF80 rack*

Product weight	1 kg
Dimensions (L x W x H)	164x63x35 mm

FOOTPRINT AREA

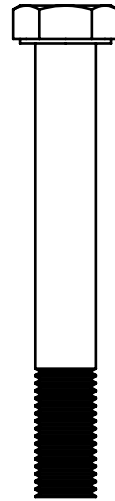
CONTENTS

X2



Connection Plate
3085335 p1

X2



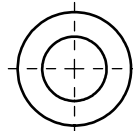
Screw M6S M16x120

X2



Locking Nut M16, FZV

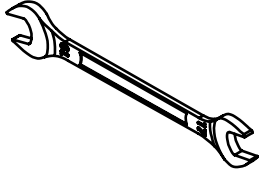
X4



Washer BRB 17x30x3

REQUIRED TOOLS

x2



Spanner 24 mm

GENERAL

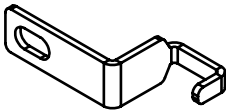
The table below is general torque to use for different threads. Use these torques, if nothing else is set. Below numbers are for screw/nut of quality 8.8.

THREAD	TORQUE (Nm / ftlb) Quality 8.8
M16	197 / 145,3

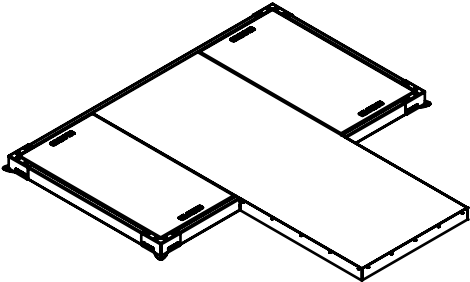
ASSEMBLY INSTRUCTIONS

X2

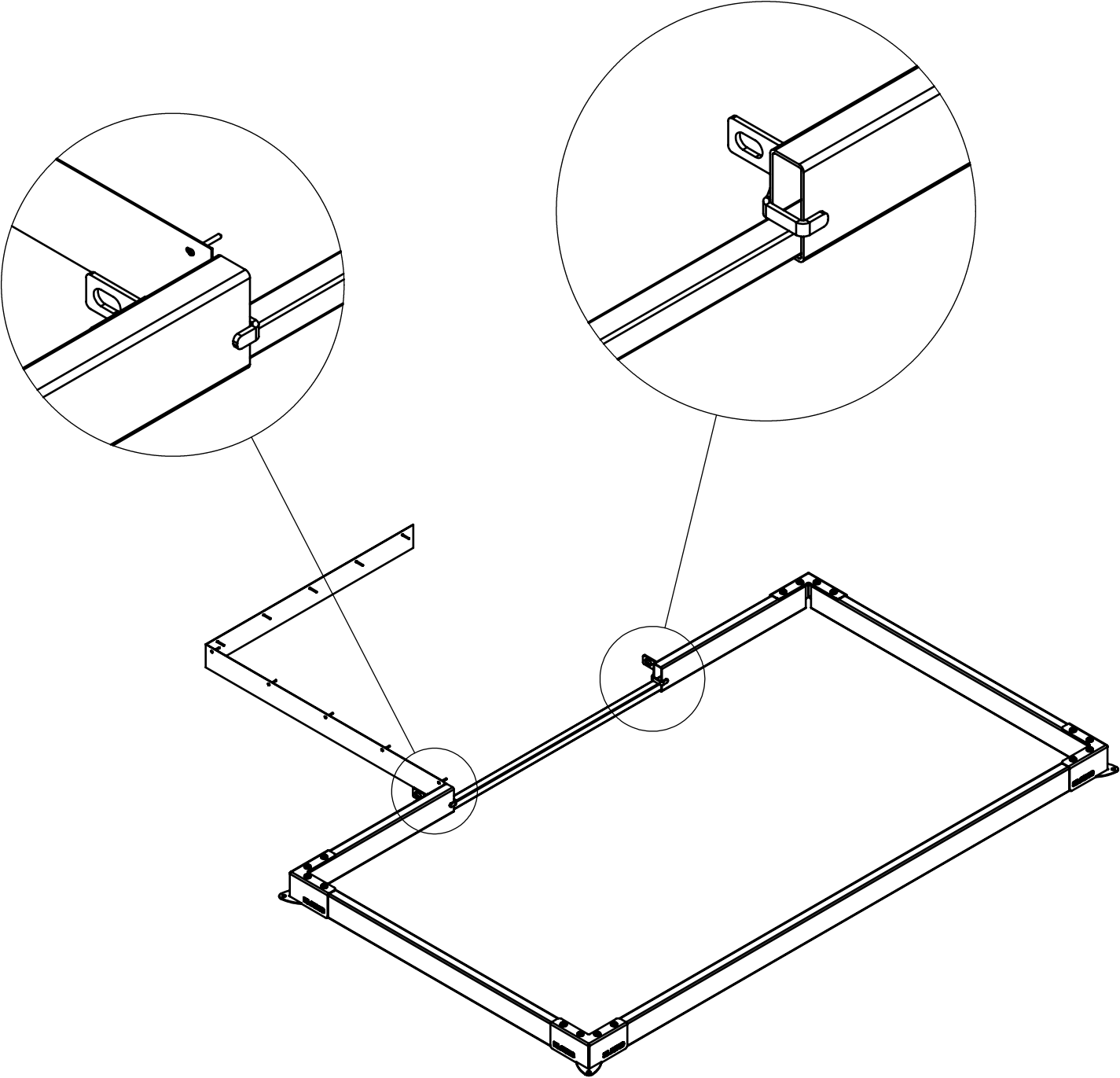
1.



Connection Plate
3085335 p1

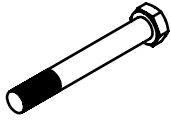


SVR PLATFORM - CLASSIC INSERT



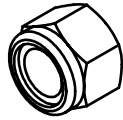
2.

X2



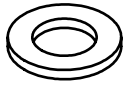
Screw M6S M16x120

X2

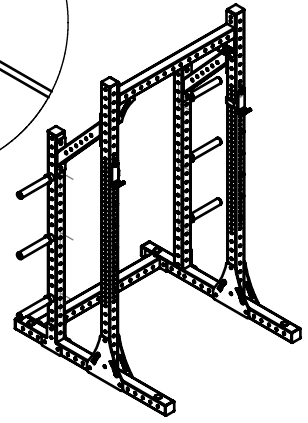
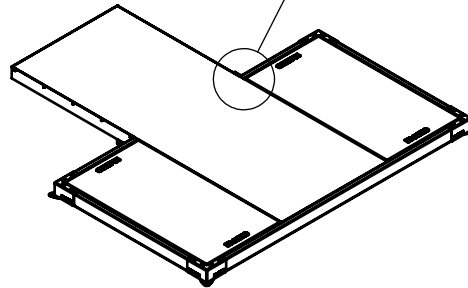
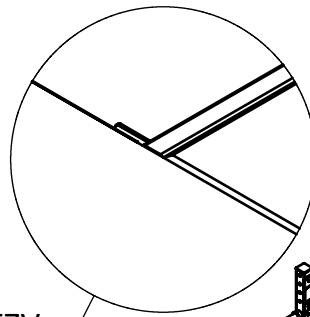


Locking Nut M16, FZV

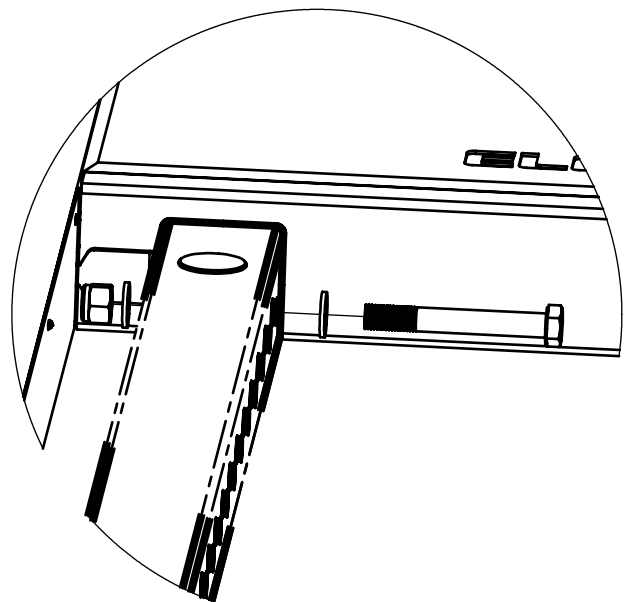
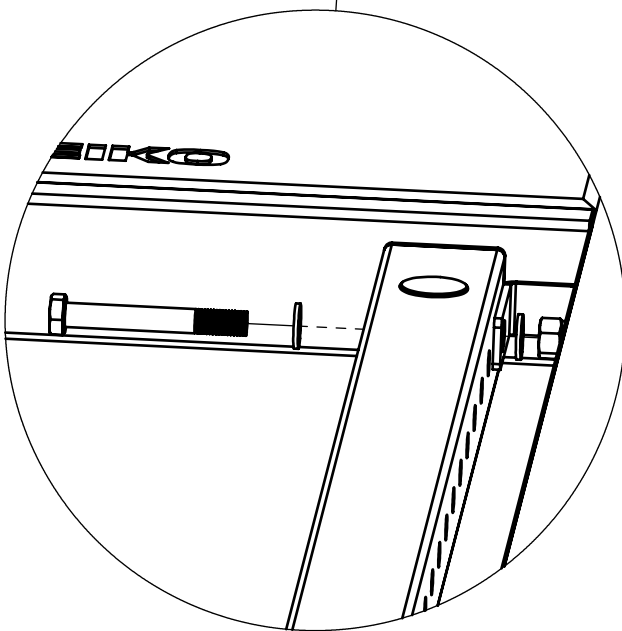
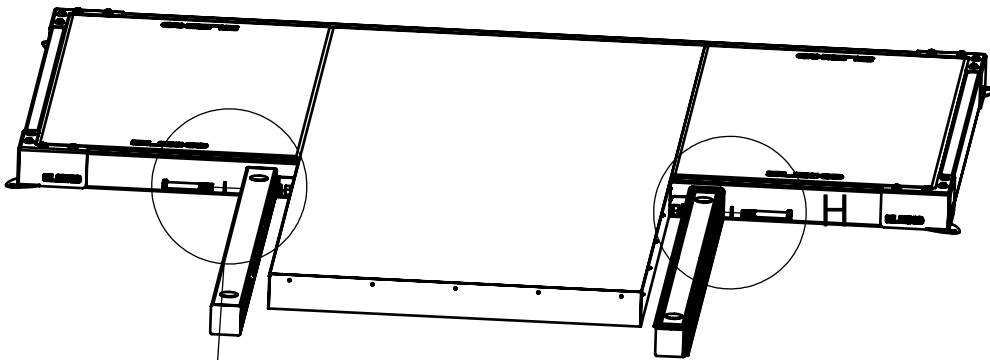
X4



Washer BRB 17x30x3



XF 80 HALF RACK



ELEIKO

ELEIKO

RAISE THE BAR

Eleiko Group AB | Klastorpsvägen 18 | SE-302 62 HALMSTAD | Sweden
E-mail: info@eleiko.com | Phone: +46 35 17 70 70

www.eleiko.com