

# Goalrilla™

## Yard Guard

MODEL NO.

# B2800W-2EF

HAMMER ITEM NO.

# 2154

## OWNER'S MANUAL

1. **Read this manual carefully before starting assembly.** Read each step completely before beginning each step.
2. **Some smaller parts may be shipped inside larger parts. Check inside all parts and cartons before assembling or ordering parts.**
3. **To make assembly of your Yard Guard easier, check all cartons for kits. All hardware may not be located in one kit.**
4. **Do not tighten hardware until instructed to do so.** If hardware is tightened too soon, mounting holes may not align and parts may not easily fit together. Leave locknuts slightly loose until you are instructed to tighten them. You will need a 5/8" wrench, two 1/2" wrenches and a
5. **Save these instructions and your proof of purchase (receipt) in the event that the manufacturer has to be contacted for replacement parts.**

### Please Do Not Return This Product To The Store!

Contact Hammer Sports AG at:

Tel: 0731-97488-41

Email: [info@hammer-basketball.com](mailto:info@hammer-basketball.com)

Hammer Sport AG

Abt. Kundendienst

Von-Liebig-Str. 21

89231 Neu-Ulm

Please visit our website at:

[www.hammer-basketball.de](http://www.hammer-basketball.de)

 **WARNING**

FAILURE TO FOLLOW THESE WARNINGS MAY RESULT IN SERIOUS INJURY AND/OR PROPERTY DAMAGE.

Owner must ensure that all players know and follow these rules for safe operation of the system.

- Do not climb on the basketball stand;
- Do not hang on the rim/basket;
- Not intended for basketball games with competitive character, only suitable for practice of throwing techniques
- Install only on flat solid ground;
- Do not use in extreme wind or bad weather, the basketball stand could tip over!

# ESCALADE®

## S P O R T S

2L-7928-00

NOTE: ALWAYS place the Yard Guard into the Storage position when not in use, especially during bad weather. Net sleeves can fill and hold water causing damage.

<b>⚠ WARNING</b>	
<ul style="list-style-type: none"><li>• CHECK PRODUCT FOR DAMAGE AND REPAIR BEFORE EACH USE (LOOSE HARDWARE, RUST, TORN NETS, INSTABILITY) NEVER PLAY ON DAMAGED EQUIPMENT!</li><li>• DO NOT CLIMB OR JUMP ON PRODUCT.</li><li>• DURING PLAY DO NOT WEAR JEWELRY (WATCHES, RINGS, ECT.) OBJECTS CAN ENTANGLE IN NET.</li><li>• PUT PRODUCT IN STORAGE POSITION WHEN NOT IN USE, DURING STORMS, AND DURING AGGRESSIVE PLAY.</li></ul>	4L-8156-00

## INSTALLING THE YARD GUARD

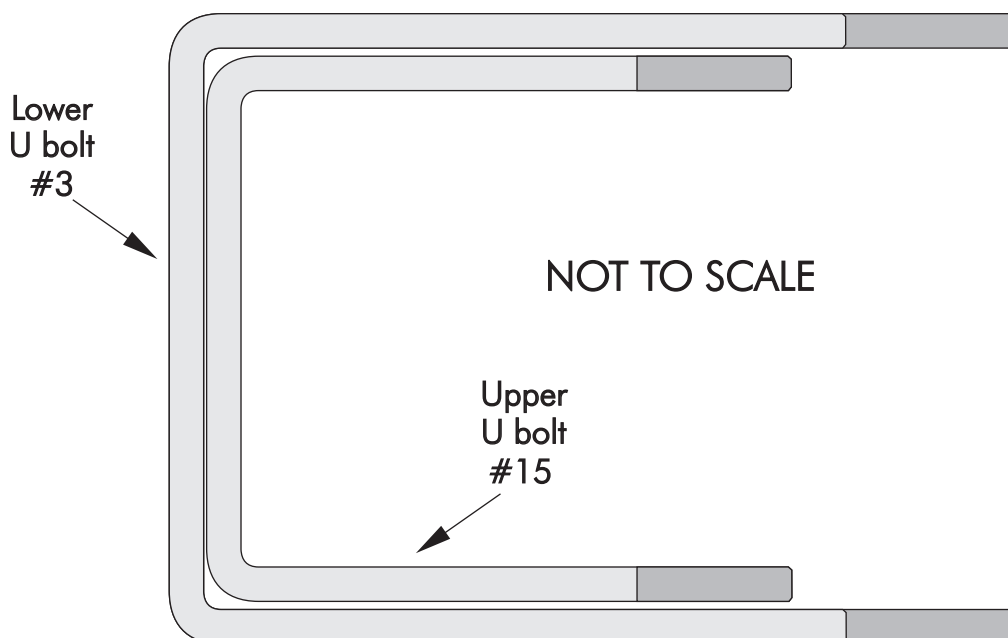
**Please Read Manual for Tips that will Greatly Reduce assembly Time!**

-Two adults are recommended for the Yard Guard installation.

-Remove all pole pads before installation. The lower pad of the Goalrilla pole pads are not compatible with the Yard Guard, you will need to replace with the provided lower pad and then place your existing Goalrilla pad on top as normal.

-A set of two U-bolts is required for installation.

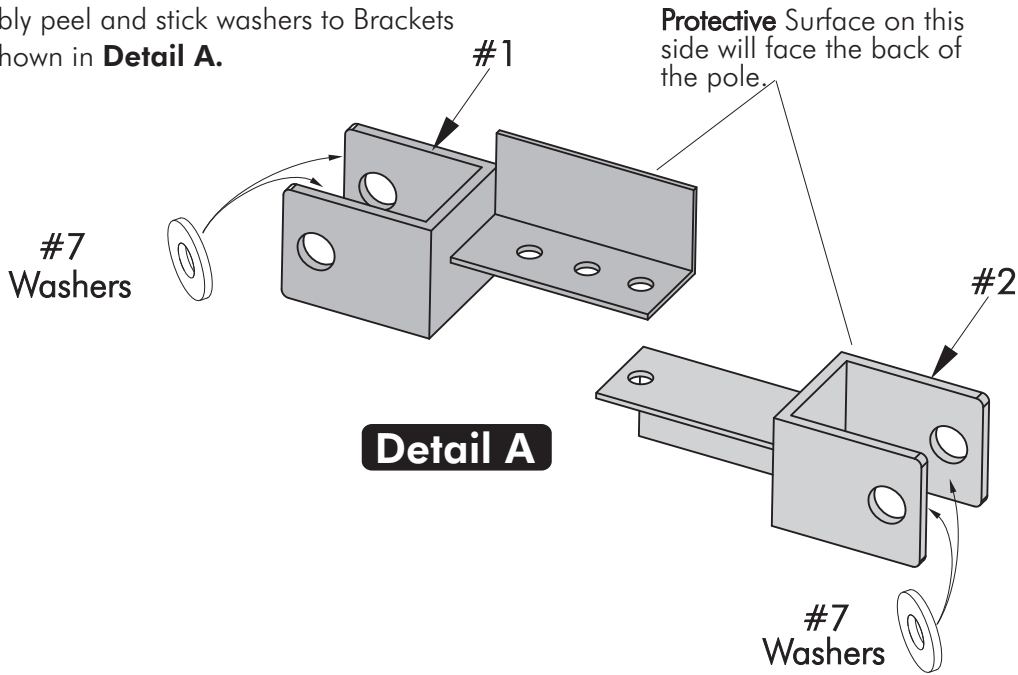
Based upon pole size, use either the 5 x 5, 5.5 x 5.5, 6 x 6, or 6 x 8 labeled sets. These sets should include 2 different size U-bolts.



# YARD GUARD BRACKET

**NOTE:** Two brackets (#1 & #2) are required. Bracket #1 with three holes goes on top of bracket #2.

**A.** Before assembly peel and stick washers to Brackets #1 & #2 as shown in **Detail A**.



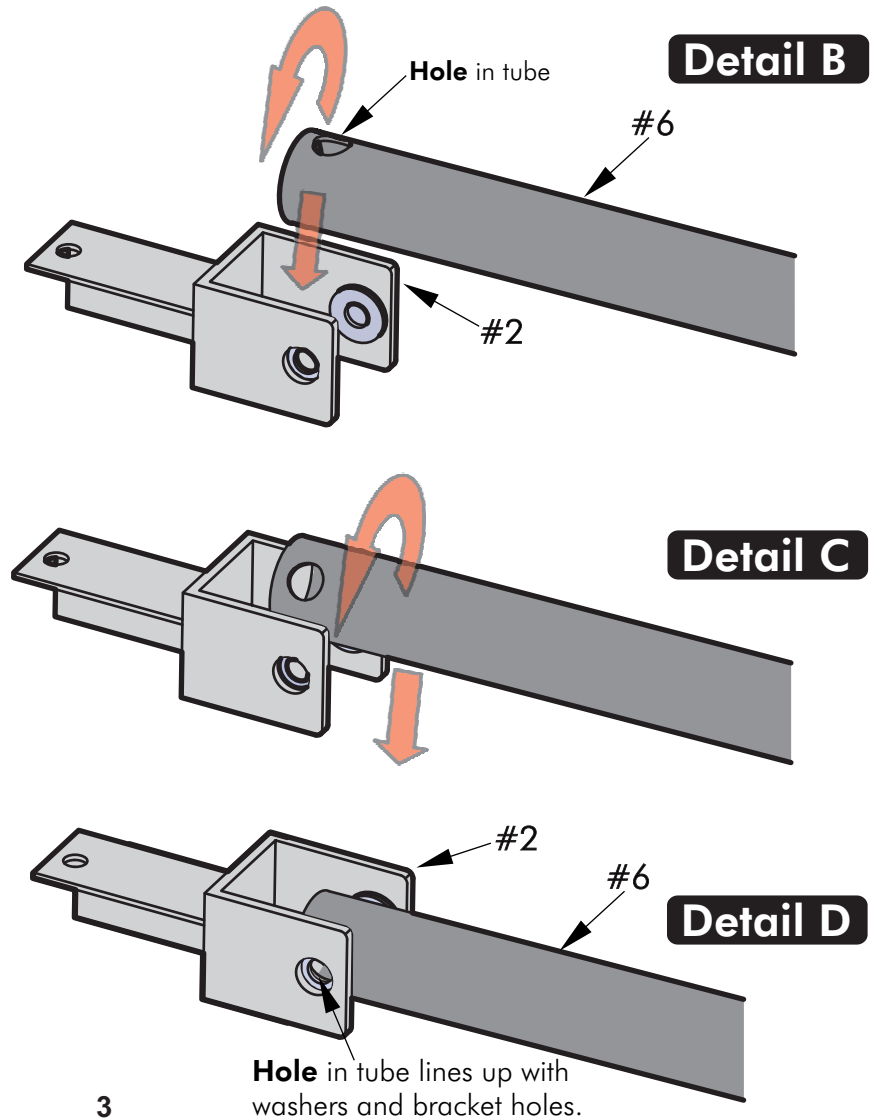
## INSERTING #6 POLES TO YARD GUARD BRACKETS

**NOTE:** When inserting tube into bracket it will be a **tight fit**, this is normal and will provide stability to the assembly.

**NOTE: DO NOT** ATTEMPT TO JUST PUSH AND SLIDE INTO PLACE, THIS WILL BE EXTREMELY DIFFICULT AND COULD DAMAGE PRODUCT.

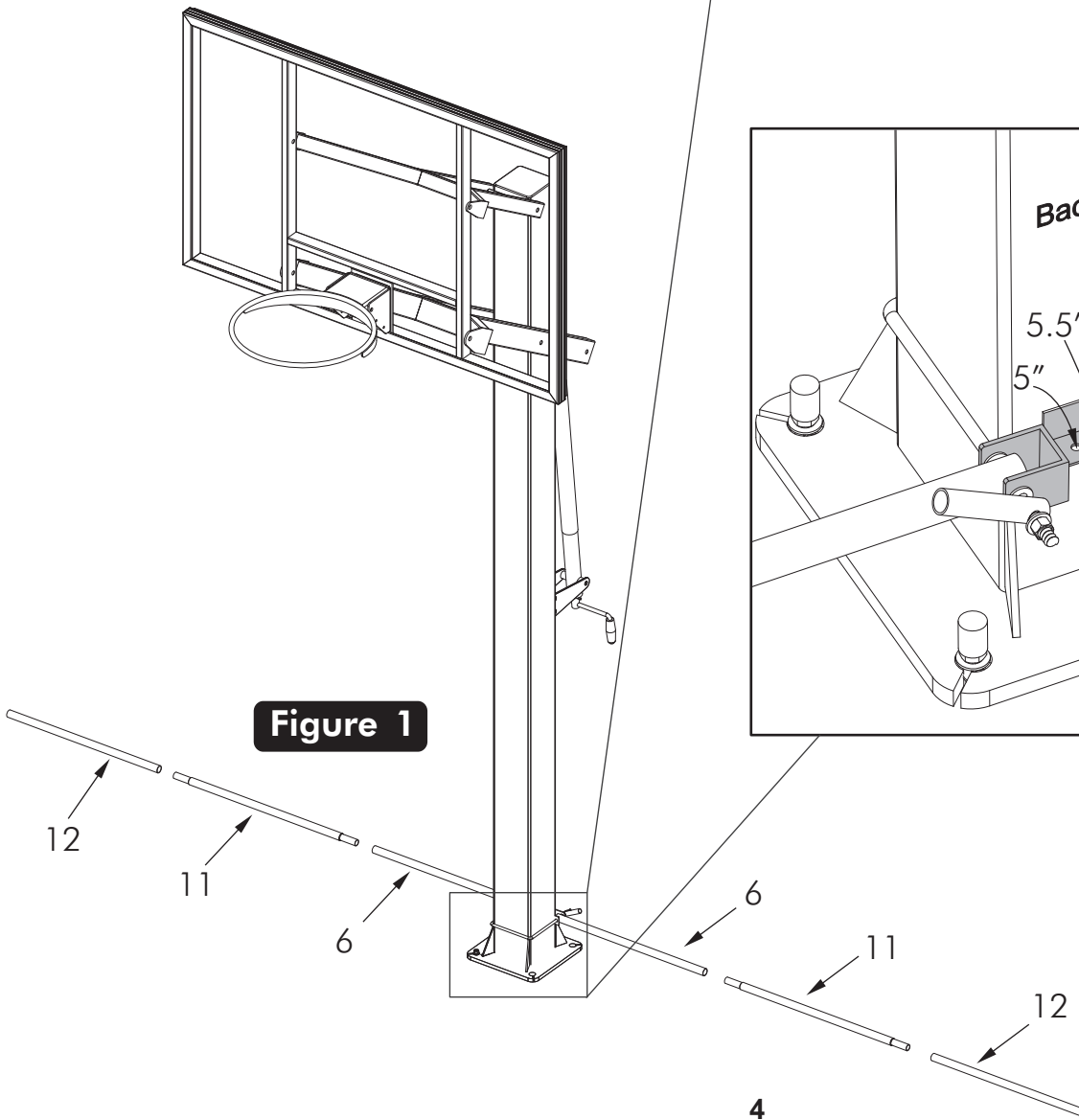
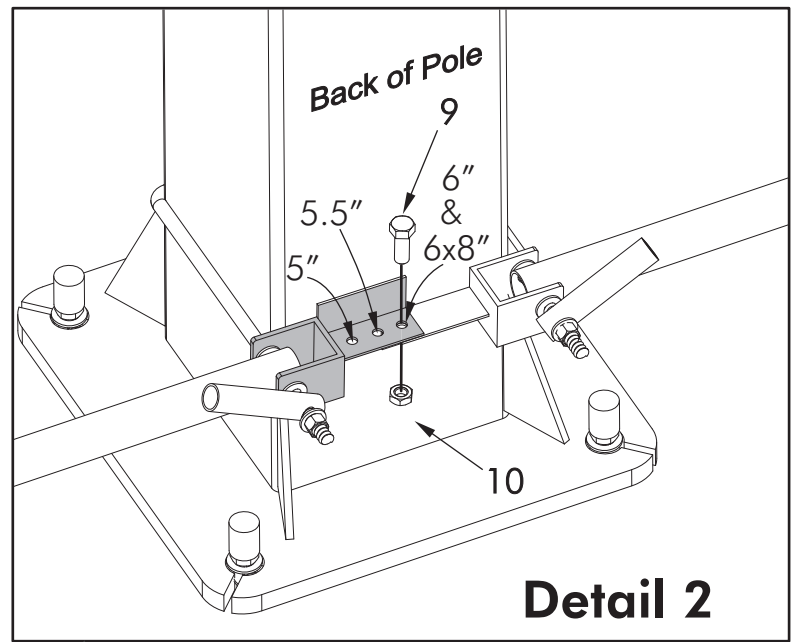
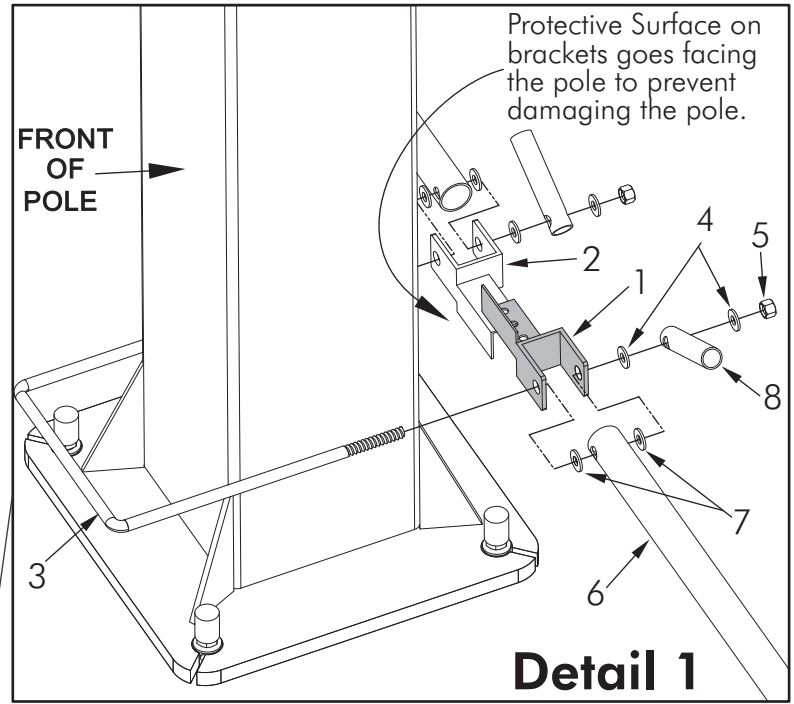
FOLLOW INSTRUCTIONS BELOW ON HOW TO SLIDE AND ROTATE INTO PLACE.

**B.** To insert tube #6 in brackets **slide down** and **rotate** tube into position until the holes in the **bracket, washer** and the **tube** line up. See **Detail B-D**.



Two 7/16" Wrenches and one 9/16" Wrench will be required for the following steps.

1. Taking the longer U-bolt #3 slide it over the pole as shown below, **Detail 1**. Please be careful not to scratch the paint from your system, packaging foam can help with this.
2. Using the provided #7 washers with double stick tape. Stick them on the inside of the lower brackets as shown in previous page. Proceed to then slide the brackets over the U-bolt #3 and complete the rest of the lower assembly, see **Detail 1**. Do Not Tighten Nut onto U-bolt yet, use only to keep other items in place.
3. To attach the brackets to each other, pull them together until one of the three holes on top bracket #1 align with the single hole in the bottom bracket #2. **Detail 2** shows the location for a 5 x 5, 5.5 x 5.5, 6 x 6, and 6 x 8 pole. Insert screw #9 and tighten nut #10 to the bottom. After completing the assembly should be just above the systems triangular gussets. **At this point, tighten U-bolt nuts #5 secure** so that front to back wobble is eliminated but rods and connectors can still pivot.
4. Slide #11 Middle, #12 End & #6 poles together as shown in **Figure 1**.

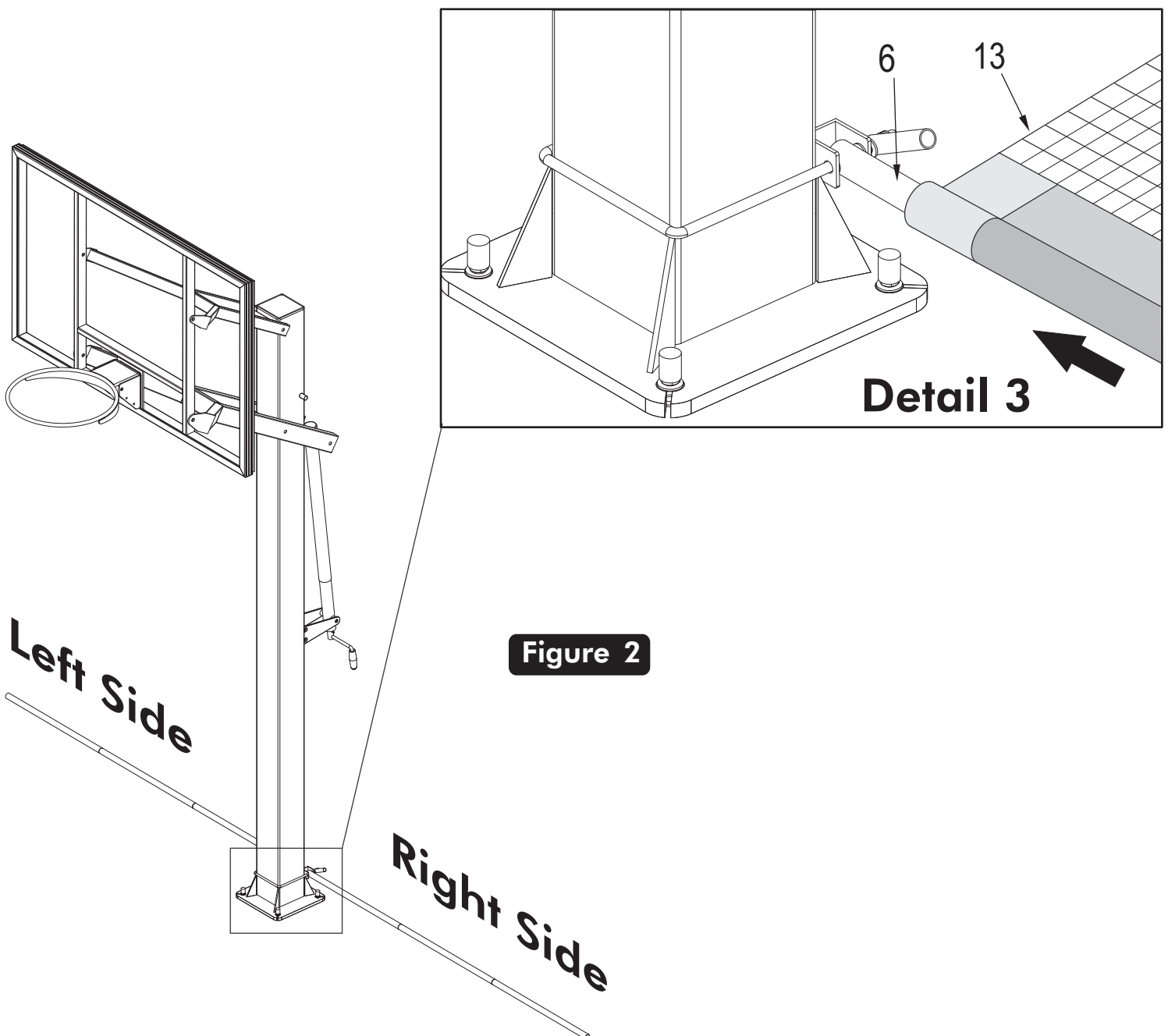


5. Slide Right Yard Guard net (#13) onto Steel Tube assembly as shown in **Detail 3**. Repeat for Left Yard Guard Net #14 with Brand and Warning Label. No screws are required for assembly.



**BEFORE GOING TO THE NEXT PAGE DETERMINE WHICH BASKETBALL SYSTEM YOU HAVE. IF YOU HAVE A "FT" SERIES BASKETBALL GOAL (for example B3015,B3016 or B3017) SKIP TO PAGE 7. FOR ANY OTHER GOALRILLA BASKETBALL SYSTEM CONTINUE TO PAGE 6.**

**NOTE:** To find your model number refer to your Basketball systems owner's manual. Alternatively, the Goalrilla basketball units will have a sticker on the back of the pole with the model number (starts with the letter B).

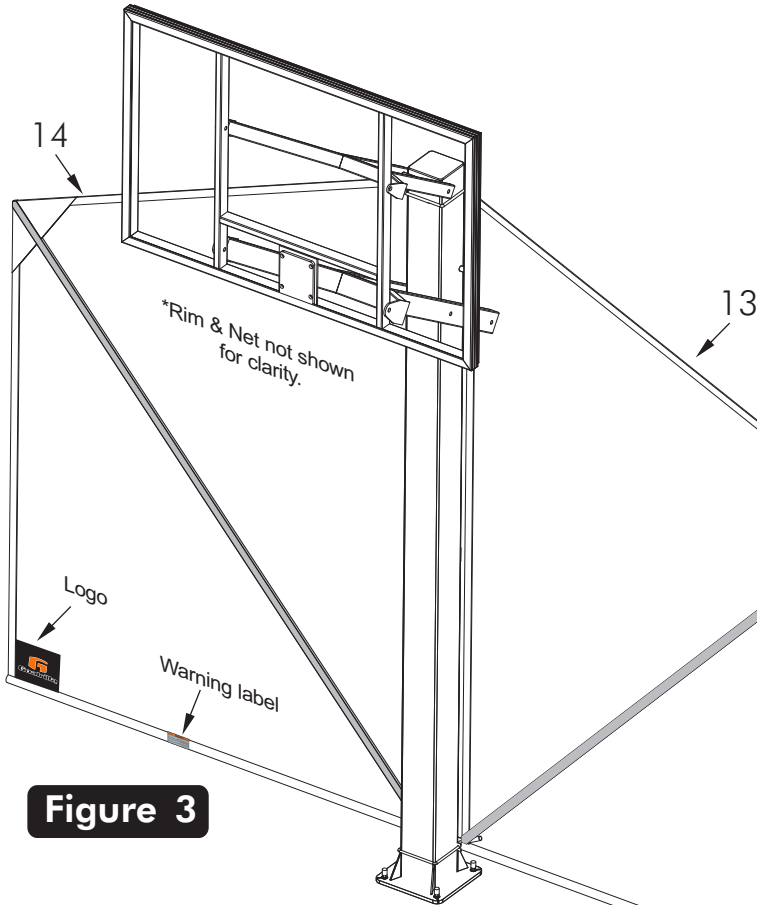
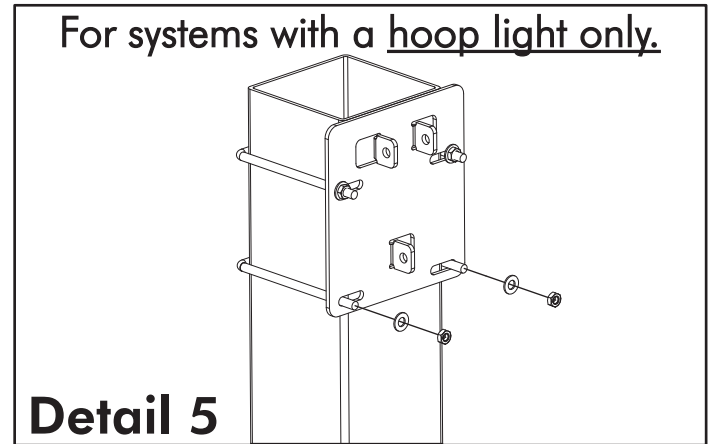
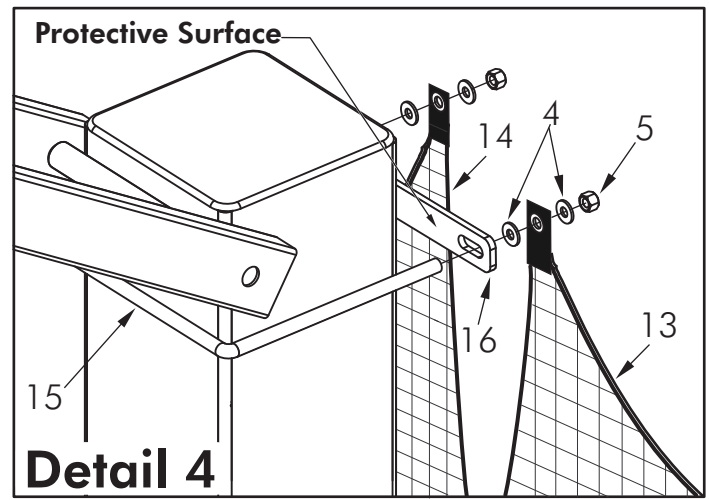


**Figure 2**

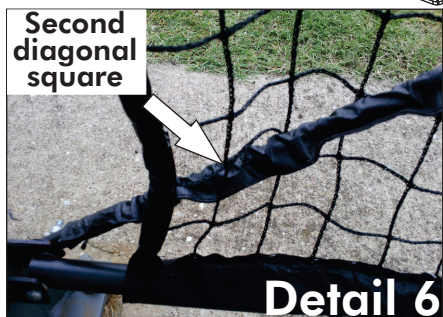
- Using a ladder take the upper pole bracket #16 with Protective surface facing the pole, slide the shorter U-bolt #15 through bracket to attach the Nets as shown in **Detail 4**. Attach nuts so that the bracket may still move up and down. Carefully position assembly so that net is fairly tight and most of the slack is removed. At this point tighten nuts snug so that the U-bolt and bracket cannot move. **DO NOT CRUSH** the grommet in the net.

**For systems with a hoop light only.**

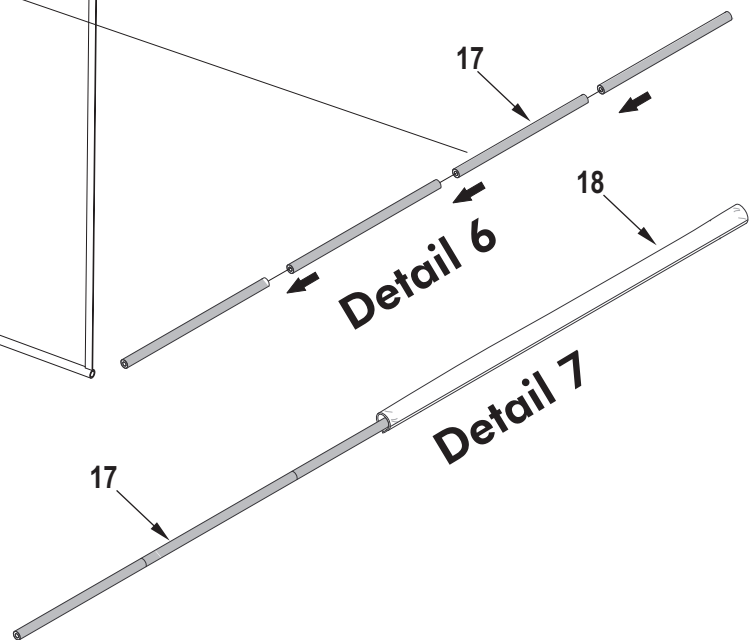
- If using a hoop light remove the LOWER nuts as shown in **Detail 5** and attach net to lower U bolt on Light Bracket as instructed on **Step 6**.



**Figure 3**

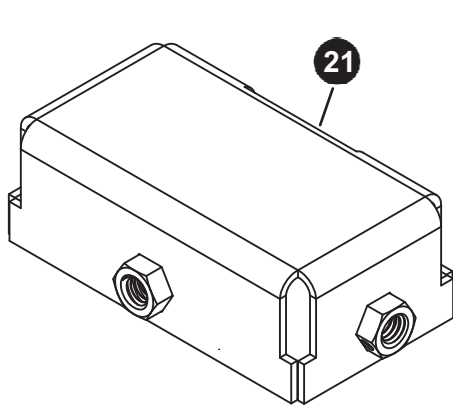


**Detail 6**

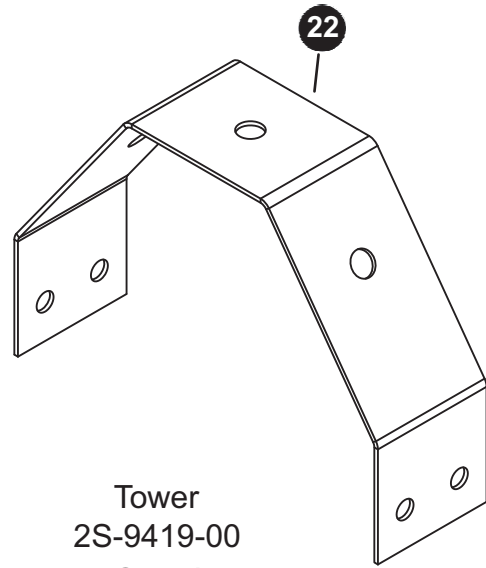


- Slide Fiberglass Rods #17 together and insert into Sleeve #18. Next insert one end of the fiberglass rod #17 and sleeve #18 into the triangular pocket on the FRONT upper outside corners of the net. The rod will then remain on the front of the net until it reaches the **second** diagonal square from the lower inside corner as shown in **Detail 6**. Push it through this hole and down into the fiberglass rod pivot connector. Then carefully take the fiberglass tube sleeve and slide it over the pivot connector as well. Do this for both sides. Make sure to slide part #17 (Rod Sleeve) over pivot connector as well. At this point the Yard Guard should be free standing. **SKIP TO PAGE 11 TO CONTINUE THE INSTALLATION**

# PARTS TO ATTACH TO "FT" SERIES MODELS

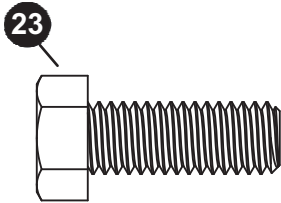


Bracket  
4A-8245-00  
QTY.2

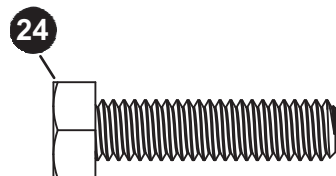


Tower  
2S-9419-00  
QTY.1

# HARDWARE TO ATTACH TO "FT" SERIES MODELS



3/8-16 X 1" NYLON BOLT  
1B-7169-00  
QTY.6



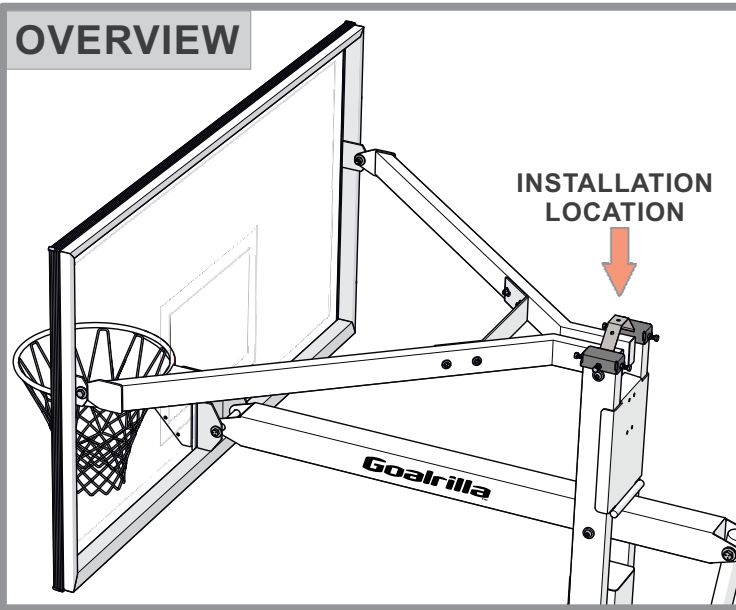
5/16-18 X 1 1/4" BOLT (ZINC)  
1B-7168-00  
QTY.2



5/16-18 LOCKNUT  
2B-6009-02  
QTY. 4

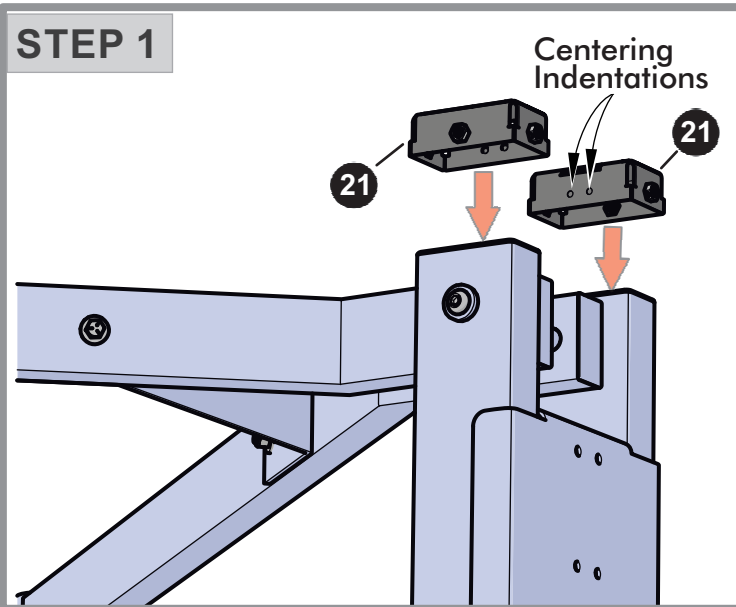
## INSTALLATION FOR MODELS: B3015, B3016 & B3017 (FT SERIES)

### OVERVIEW



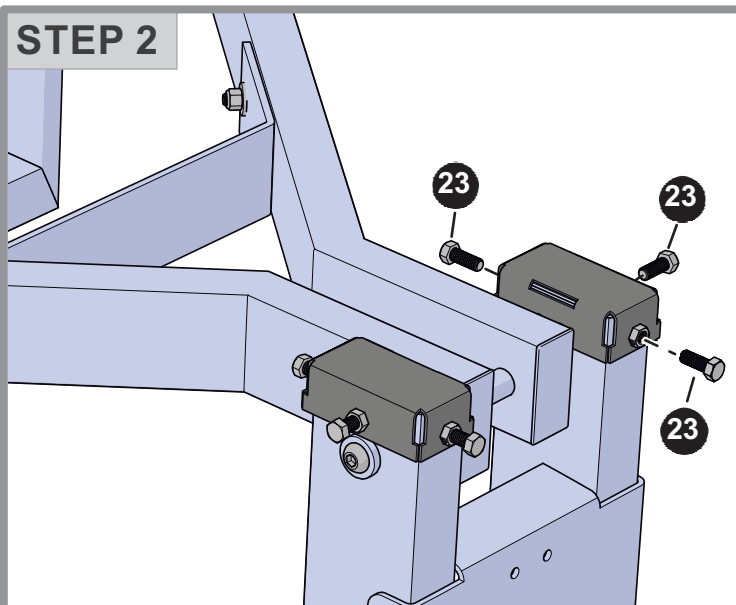
Brackets to hold the yard Guard net will be installed on the to the upper poles as shown

### STEP 1



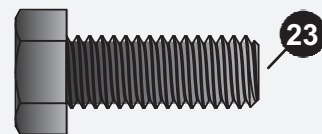
Set the Brackets (**#21**) on top of the upper posts making sure the **two Centering Indentations** on each bracket are to the inside.

### STEP 2



Center the bracket from front to back on each pole, then using a **5/8"** wrench **carefully** screw the Nylon Bolts (**#23**) in but leave the bracket loose enough so it can be slipped up and down.

### HARDWARE NEEDED (ACTUAL SIZE)

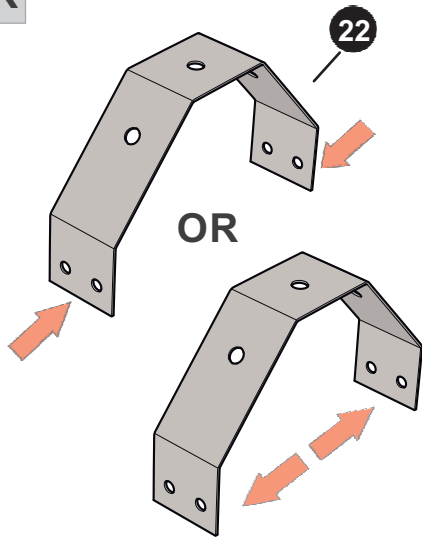


3/8-16 X 1" NYLON BOLT  
1B-7169-00

**QTY.6**



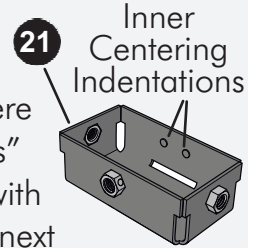
## TOWER



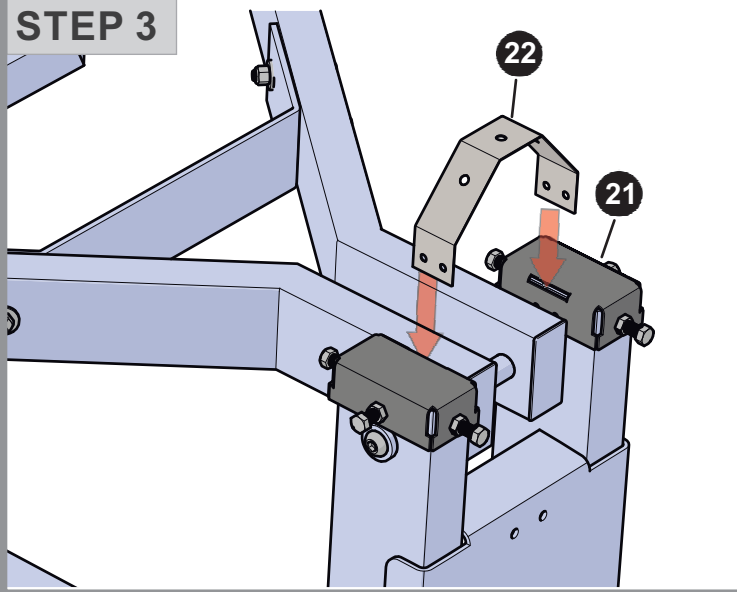
The sheet metal Tower (**#22**) can flex to get wider or narrower, on units with a 72" or 60" backboard the Tower will need to be flexed out to fit the brackets. On units with a 54" backboard the Tower may need to be flexed in.

**NOTE:** Tower will deform permanently.

**NOTE:** Inside the bracket there will be "centering indentations" that will need to be lined up with the holes in the Tower for the next step.



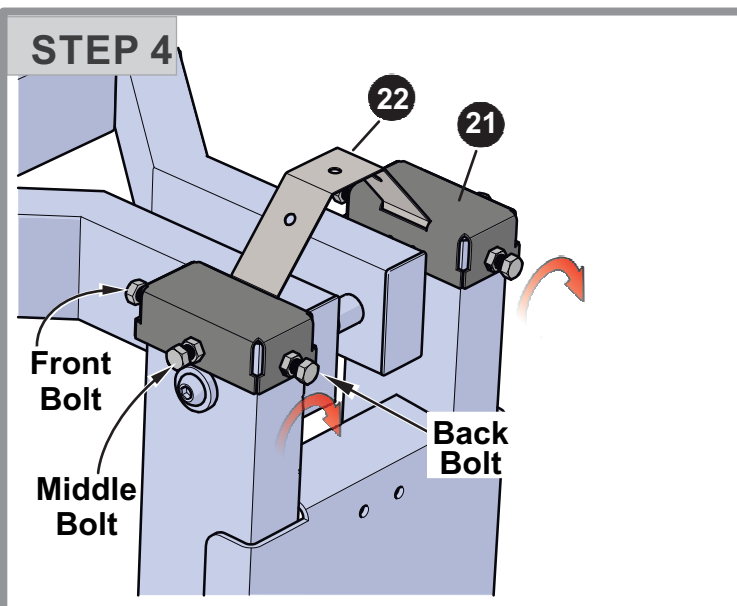
## STEP 3



Insert Tower (**#22**) into the opening of the Bracket (**#21**). On one side, line up the two holes in the Tower to the two centering indentations in the bracket, then do the same for the other side until both sides of the tower are in the bracket.

**Assembly tip:** Lifting each bracket up separately and then sliding it back into place can assist in this process.

## STEP 4



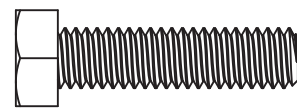
Make sure the bracket is centered from front to back, then tighten **front & back** Nylon bolts. Lastly, tighten **middle** bolt until the brackets are completely secure. See note below.

**NOTE:** TIGHTEN BOLTS UNTIL SECURE, BUT **DO NOT OVER TIGHTEN!!** THIS COULD CAUSE YOUR POST BRACKET TO DEFORM. If this happens, loosen bolts until bracket regains its shape and tighten back up slowly until it is firmly on pole.

**NOTE:** When tightened the bolts on model **FT 72** will stick out more than on smaller units.

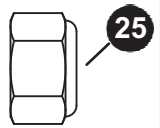
**NOTE:** If you have a **FT72** (72" backboard) continue with "**Step for FT72**", on any other unit skip to step "**FT54 & FT60**".

#### HARDWARE NEEDED (ACTUAL SIZE)



5/16-18 X 1 1/4" BOLT (ZINC)  
1B-7168-00

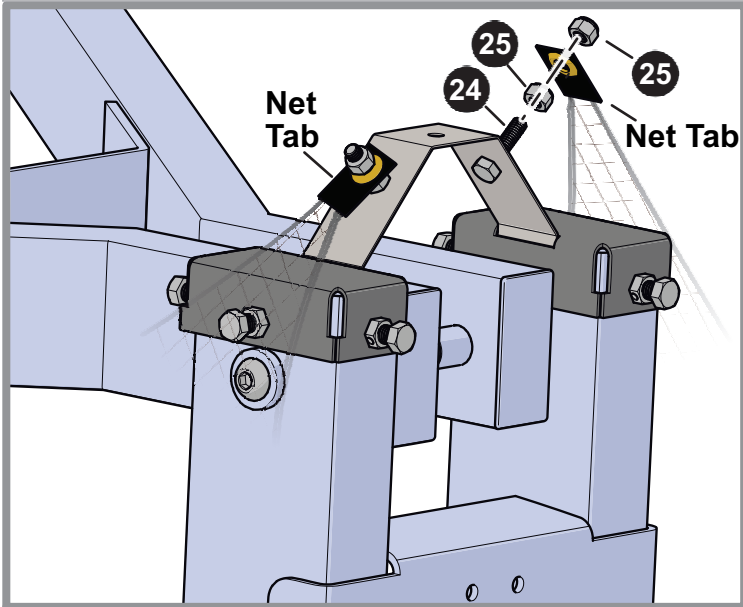
**QTY. 2**



5/16-18 LOCKNUT  
2B-6009-02

**QTY. 4**

### STEP for FT72



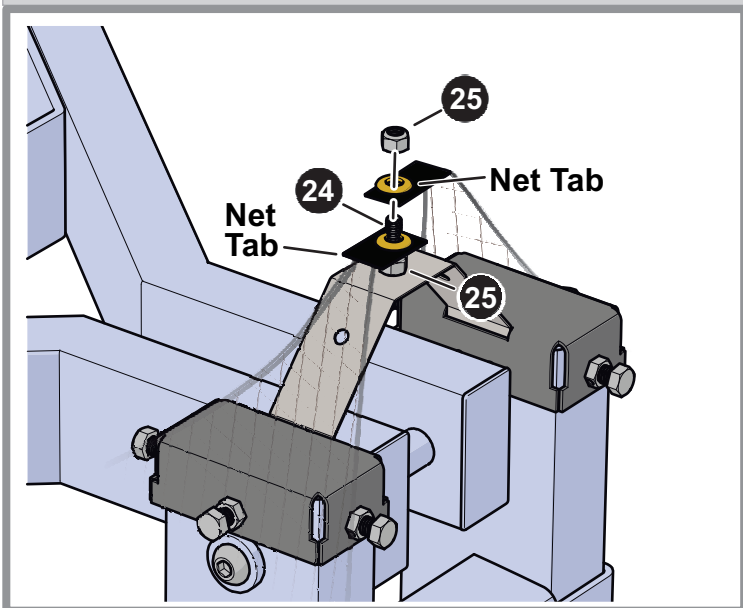
Insert a bolt (**#24**) through the holes in **each** side of the tower followed by one nut (**#25**) and tighten until secure using a 1/2" Wrench.

Net tabs will go on each bolt (**#24**) as shown, add a locknut (**#25**) and tighten to secure each net tab. **DO NOT CRUSH GROMMETS!**

**NOTE:** If nets sit too high or low, the other configuration below may be used. Using the one bolt configuration will raise the net, using the two bolt configuration will lower it.

**Continue to next page for the remainder of the assembly.**

### STEP for FT54 & FT60



Insert **one** bolt (**#24**) through the middle hole of the tower followed by one nut (**#25**) and tighten until secure using a 1/2" Wrench.

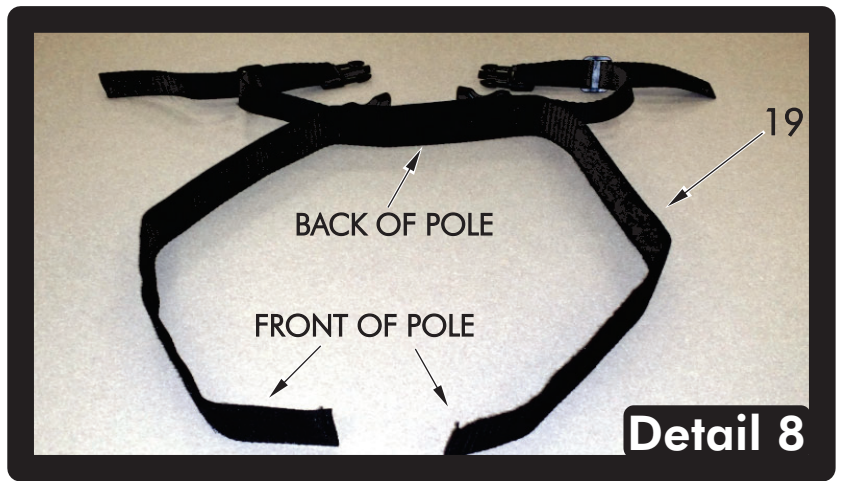
Both Net tabs will go on the bolt (**#24**) as shown, add a locknut (**#25**) and tighten to secure the net tabs. **DO NOT CRUSH GROMMETS!**

**NOTE:** If nets sit too high or low, the other configuration above may be used. Using the one bolt configuration will raise the net, using the two bolt configuration will lower it.

**Continue to next page for the remainder of the assembly.**



FRONT VIEW



9. There are 5 straps #19 used to secure the Yard Guard to your pole as shown in **Detail 7**. Center the space between the two clips on the back of the pole. Pull each Velcro side towards the front of the pole, going through the inner most net squares and secure at the front. Starting approximately 16" From the base, continue this process at about 12" increments, until all 5 are used. Refer to **Detail 8 - Detail 10**.
10. The lower pad of the Goalrilla pole pads are not compatible with the Yard Guard, you will need to replace with the provided lower pad #20 and then place your existing Goalrilla pad on top as normal. (Straps can go through inner most net squares)

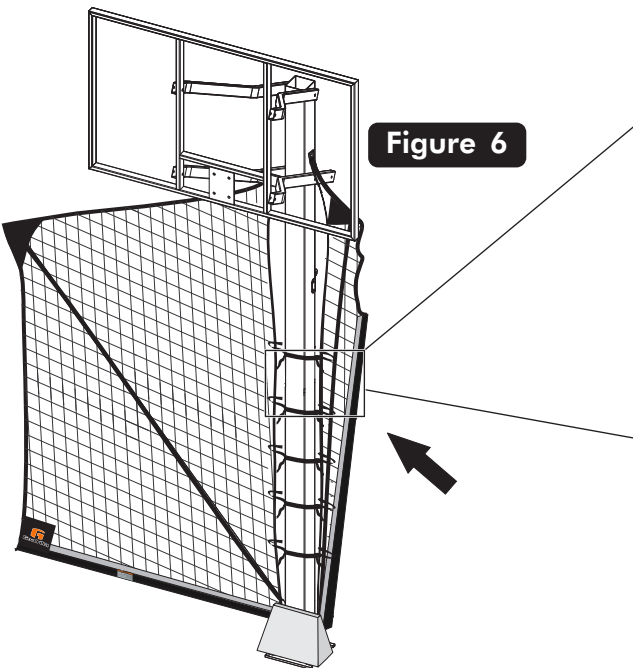
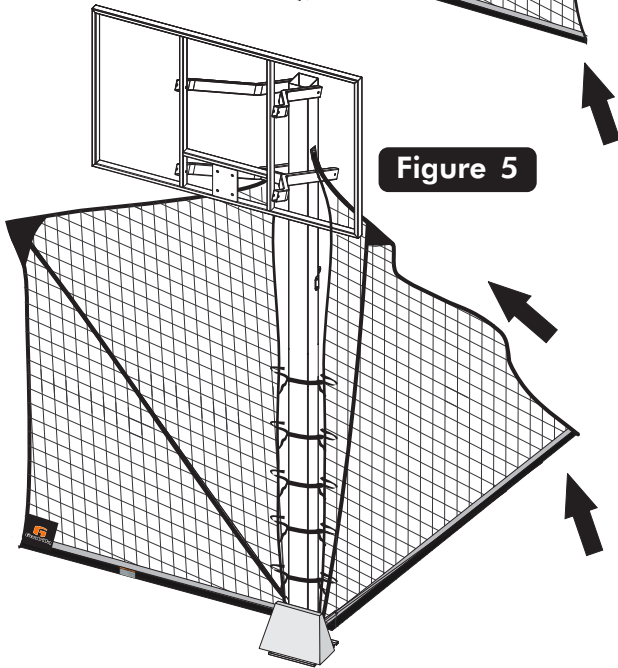
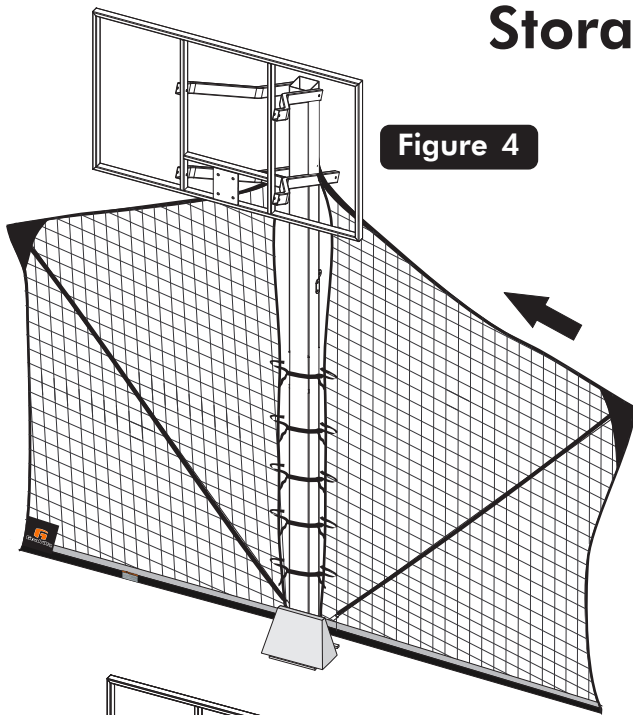
Your Yard Guard is now complete! It is in the deployed position. To store it, during non-play, bad weather, of rough play follow the steps in the next page.

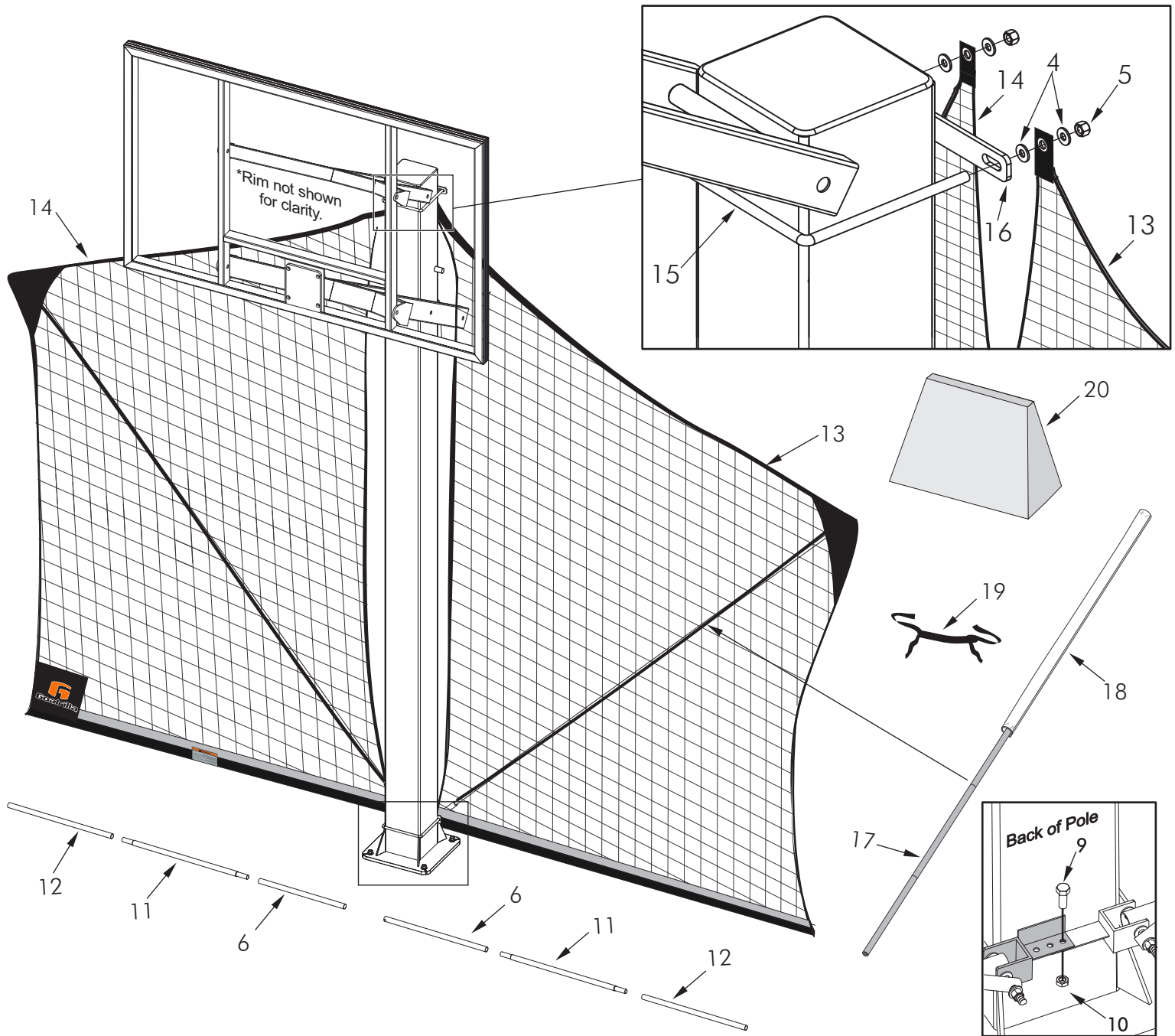


# Storage instructions

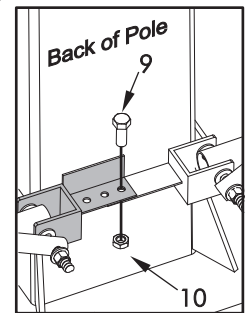
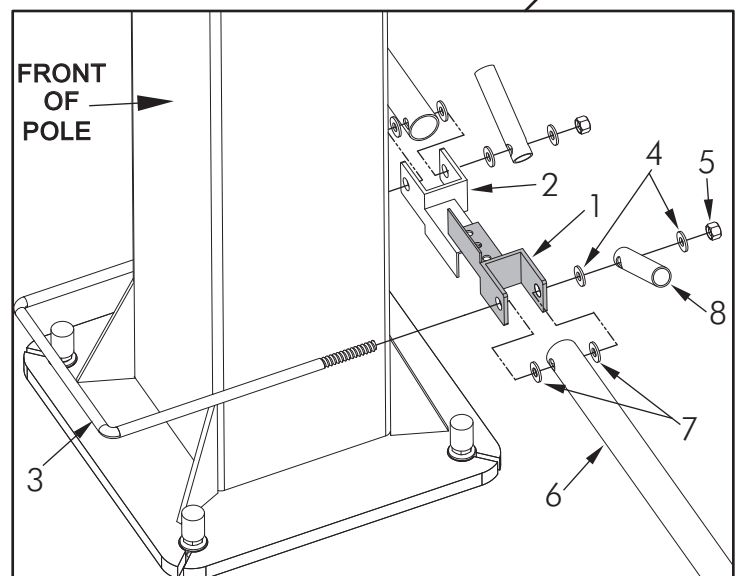
1. First, make sure all male clips have been disconnected from their corresponding clips. Carefully lift the bottom tube of the Yard Guard upwards and toward the net. Gather the excess netting to the pole with one hand while using the other to grab the top **storage Strap with the Plastic Clip**. Simply bring the **Strap with male Plastic Clip** around the front and outside of the Yard Guard and connect the female Clip, located on the back on the pole pad See Figure 4-6, Side View and Back View. Connect the other four straps in the same manner. Repeat this same procedure on the other side.

**NOTE:** Straps will be tight. This will help to secure and Protect the Yard Guard.





**\*PARTS LIST IS LOCATED ON THE NEXT PAGE**



## PARTS LIST FOR THE GOALRILLA YARD GUARD B2800-2EF

Key#	Part #	Description	Qty.
1	4A-8119-00	Lower 3 hole bracket	1
2	4A-8120-00	Lower 1 hole bracket	1
3		<b>See U bolt section below</b>	
4	2B-6787-00	3/8" Washer no tape	8
5	2B-6785-00	3/8" Nuts for U bolts	4
6	8S-7934-00	Inner Tube (with hole)	2
7	2B-6786-00	3/8" Washer w/ double sided tape	4
8	8S-7700-00	Fiber Glass rod Pivot Tube	2
9	1B-7048-00	1/4" Bolt	1
10	2B-6814-00	1/4" Lock Nut	1
11	8S-7935-00	Center Tube	2
12	8S-7936-00	Outer Tube	2
13	4A-8121-00	Right side net	1
14	4A-8122-00	Left side net	1
15		<b>See U bolt Section below</b>	
16	4A-7934-00	Upper Bracket (with slots)	1
17	4A-7930-00	Fiberglass rod set	2
18	4A-7932-00	Fiberglass rod covers	2
19	4A-7929-00	Universal Straps to hold net	5
20	4A-7935-00	Pole Pad Segment	1
21	4A-8245-00	Bracket (FT series)	2
22	2S-9419-00	Tower (FT series)	1
23	1B-7169-00	Nylon Bolt (FT series)	6
24	1B-7168-00	5/16"-18 X 1 1/4" Bolt-Zinc (FT series)	2
25	2B-6009-02	5/16"-18 Locknut (FT series)	4
<b>U BOLTS:</b>			
	1B-7049-00	4.75X6" U bolt (5X5 Pole)	1
	1B-7050-00	4.75X7.5" U bolt (5X5 Pole)	1
	1B-7051-00	5.5X6.75 U bolt (5.5 X 5.5 Pole)	1
	1B-7052-00	5.5X8.25 U bolt (5.5 X 5.5 Pole)	1
	1B-7053-00	6X7.25 U bolt (6X6 Pole)	1
	1B-7054-00	6X 8.75 U bolt (6X6 Pole)	1
	1B-7055-00	6X9.25 U bolt (6X8 Pole)	1
	1B-7056-00	6X10.75 U bolt (6X8 Pole)	1

2L-7928-00

## 11. Service-Hotline und Ersatzteilbestellformular



Um Ihnen optimal helfen zu können, halten Sie bitte Artikel-Nummer, Seriennummer, Explosionszeichnung und Teileliste bereit.

# S E R V I C E - H O T L I N E

Tel.: 0731-97488- 41

Fax: 0731-97488-64

Montag bis Freitag

von 09.00 Uhr bis 16.00 Uhr

Mail: [info@hammer-basketball.com](mailto:info@hammer-basketball.com)

An  
Hammer Sport AG  
Abt. Kundendienst  
Von-Liebig-Str. 21  
89231 Neu-Ulm

Art.-Nr.:  
Serien Nr.:

Ort: ..... Datum: .....

Ersatzteilbestellung/Spare Part order  
(Bitte in Druckbuchstaben ausfüllen!)

Kaufdatum: ..... Gekauft bei Firma: .....  
(Garantieansprüche nur in Verbindung mit einer Kopie des Kaufbeleges!)

Bitte liefern Sie mir folgende Ersatzteile (Bitte leserlich schreiben!):

Position	Bezeichnung	Stückzahl	Bestellgrund

Käufer:  
.....  
(Name, Vorname)  
.....  
(Strasse, Hausnr.)  
.....  
(PLZ, Wohnort)  
.....  
(Telefon, Fax)  
.....  
(E-Mail-Adresse)  
.....

Lieferadresse: (wenn abweichend von Käuferadresse)  
.....  
(Firma)  
.....  
(Ansprechpartner)  
.....  
(Strasse, Hausnr.)  
.....  
(PLZ, Wohnort)  
.....  
(Telefon, Fax)  
.....  
(E-Mail-Adresse)  
.....



## LIMITED 1 YEAR WARRANTY

This consumer warranty extends to the original consumer purchase of any Escalade® Sports Product (hereinafter referred to as the "Product").

**WARRANTY COVERAGE:** Escalade® Sports warrants to the original Consumer Purchaser that any Product of its manufacture is free from defects in material and workmanship. THIS WARRANTY IS VOID IF THE PRODUCT HAS BEEN DAMAGED BY ACCIDENT, UNREASONABLE USE, NEGLIGENCE, IMPROPER SERVICE, FAILURE TO FOLLOW INSTRUCTIONS PROVIDED WITH THE PRODUCT OR OTHER CAUSES NOT ARISING OUT OF DEFECTS IN MATERIAL OR WORKMANSHIP.

Subject to proper installation and normal Residential use, Escalade® Sports warrants, subject to the limitations below, to the original retail purchaser all structural components (not accessories) of the Goalrilla® System to be free of defects in material and workmanship for a period of One (1) year from the original purchase.

Merchandise must be shipped prepaid with a copy of proof of purchase to Escalade® Sports factory for examination to determine if the basketball system needs to be repaired or replaced. Any labor costs, travel expenses and any other changes involved in the removal, installation or replacement of the defective/repaired parts from/to your Goalrilla® System will be the purchaser's responsibility. Shipping charges for replaced or warranted merchandise sent back to the customer from Escalade® Sports factory must be prepaid by the customer in advance. If not, the replacement shipment will be sent out collect.

Escalade® Sports reserves the right to examine photographs or physical evidence of merchandise claimed to be defective, and to recover said merchandise, prior to authorization of warranty claims. A "Returned Goods Authorization" number may be required, please call for details prior to the return of any photographs or merchandise.

This limited 2 YEAR warranty is expressly in lieu of all warranties, expressed or implied, including warranties of merchantability or fitness for use. Escalade® Sports does not assume or authorize any person or representative to assume for us, any other liability in connection with the sale of our products.

The remedy of repair or replacement stated above is Escalade® Sports exclusive remedy. Escalade® Sports will not be liable for any other damages or expenses which may incur, including but not limited to incidental or consequential damages. Escalade® Sports assumes no other obligations or liability on the part of the purchaser, and Escalade® Sports neither assumes nor authorizes any other person to assume for it any other liability in connection with the goods sold.

This warranty shall not apply in any manner to parts or accessories not manufactured by Escalade® Sports.

### NOT COVERED BY THIS WARRANTY

- Merchandise not intended to be in places of public assembly, such as, but not limited to, schools, parks, public or private Recreational Facilities.
- Any merchandise subjected to Non-residential abuse, negligence, improper installation, vandalism, acts of God, alteration of product, or any other events beyond the control of Escalade® Sports.
- Paint or rusted parts. If rust should appear, remove loose paint, sand lightly, primer and paint with exterior flat matte finish Enamel Paint.
- HANGING ON RIM WILL VOID THE WARRANTY: Rims are not warranted for any defects other than workmanship. Torn. back plates, damaged springs, bent rings, damaged eyebolts, and torn or distorted rim supports result from hanging on the rim and are not warranted.
- Shipping charges both ways. Note: Any merchandise shipped to Escalade® Sports collect will be refused.
- Dealer service charges, labor charges and travel expenses associated with replacement of repair of warranty item.
- "Yard Guard™" is warranted for One (1) year. Warranty is void if "Yard Guard™" is not used for it's Intended use.

**WARRANTY DISCLAIMERS:** ANY IMPLIED WARRANTIES ARISING OUT OF THIS SALE, INCLUDING BUT NOT LIMITED TO THE IMPLIED WARRANTIES OF MERCHANTABILITY AND FITNESS FOR A PARTICULAR PURPOSE, ARE LIMITED IN DURATION. ESCALADE® SPORTS SHALL NOT BE LIABLE FOR LOSS OF USE OF THE PRODUCT OR OTHER CONSEQUENTIAL OR INCIDENTAL COSTS. EXPENSES OR DAMAGES INCURRED BY THE CONSUMER OF ANY OTHER USE.

Some states do not allow the exclusion or limitation of implied warranties or consequential or incidental damages, so the above limitations or exclusions may not apply to you. LEGAL REMEDIES: This warranty gives you specific legal rights, and you may also have other rights which may vary from state to state.

### WARRANTY GUIDELINES IS REQUIRED FOR ALL WARRANTY CLAIMS

1. Proof of Purchase (original retail purchaser) is required for all warranty claims.
2. Call or email **Hammer Sport AG**  
Tel: 0731-97488-41  
E-mail: info@hammer-basketball.com